



**Model 5126 — Bradex®**

- Surface-Mounted
- Hinged Hood
- Non-Controlled Delivery
- Dual Roll (For Single Roll see Model 5106)

**Product Materials**

**HOUSING AND HOODS:** bright polished stainless steel.

**SPINDLES:** chrome-plated plastic.

**Capacity**

Two standard core toilet tissue rolls through 5½" in diameter.

**Operation**

Concealed spring permits spindle to telescope for servicing. Spindle turns freely for non-controlled delivery. Hinged hood prevents unintentional unraveling while keeping top tissue surface clean. Hinged hood is not removable.

**Installation**

Verify all rough-in dimensions prior to installation. Secure to wall with mounting screws (included) at holes provided.

**Optional Features**

Feature	Suffix
<input type="checkbox"/> Anti-theft spindle	-52

**Guide Specification**

Surface-mounted roll toilet tissue dispenser with hinged hood shall be bright polished stainless steel and hold two standard core toilet tissue rolls.

**Overall dimensions: 12½"W x 6½"H x 2"D.**

 **ADA Compliant**

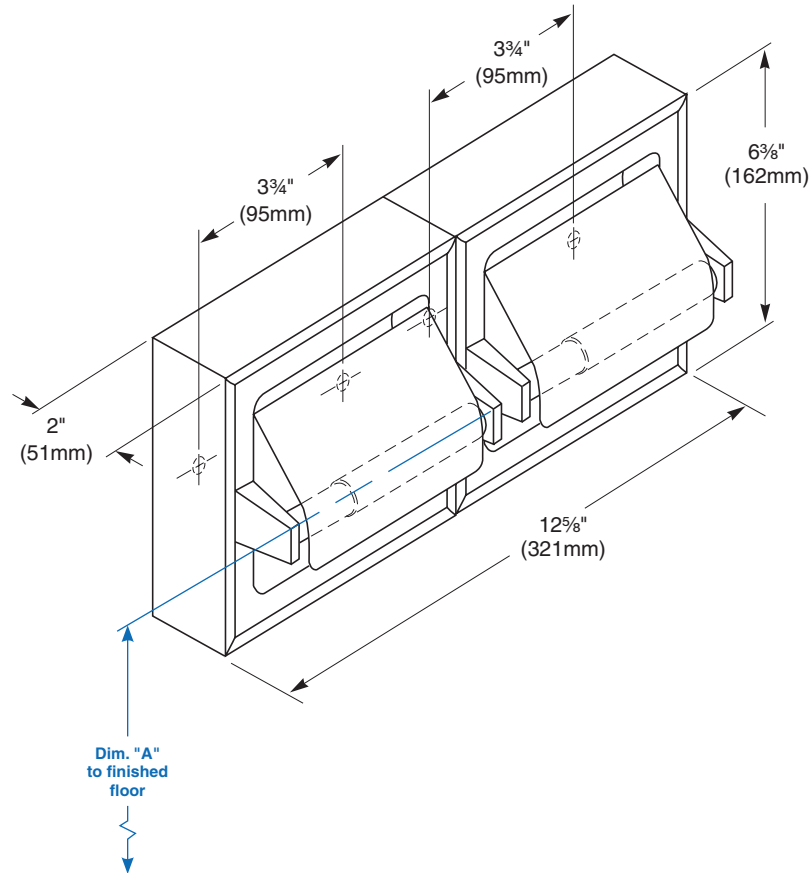
- Consult local and national accessibility codes for proper installation guidelines.
- Conformity and compliance to local and national codes is the responsibility of the installer.



Orders composed of products indicated as **Bradex®** will be available to ship in three days after receipt of order at the factory. There is no pricing penalty for this service from Bradley.



Dimensions



Dim. "A" Key Surface:	For Dim. "A"	Top of Unit	Bottom of Unit
Centerline of spindle to finished floor (bottom edge of paper roll 3" below centerline of spindle)	23" (584mm)	26" (660mm)	19 5/8" (498mm)
	22" (559mm)	25" (635mm)	18 5/8" (473mm)
	21" (533mm)	24" (610mm)	17 7/8" (448mm)
	20" (508mm)	23" (584mm)	16 5/8" (422mm)
	19" (483mm)	22" (559mm)	15 5/8" (397mm)
	18" (457mm)	21" (533mm)	14 5/8" (371mm)
<b>Rough wall opening:</b>			
Surface Mount:	No rough opening, see overall dimensions		

Orders composed of products indicated as **Bradex**® will be available to ship in three days after receipt of order at the factory. There is no pricing penalty for this service from Bradley.